



Specifications

| | |
|------------------------------|-----------------------------|
| Product Material | Polycarbonate |
| Operating Temperature | 0°C to 70°C |
| Data Connector | Plug Connector Sub-D |
| Max. Nominal Voltage | 125V AC / 125V DC |
| Max. Nominal Current | 3 Amp |
| Max. Wire Diameter | 20 / 0.05 mm ² |
| Plug Socket | Universal Socket |
| Max. Nominal Voltage | 250V AC - 50/60 Hz |
| Max. Nominal Current | 20 Amp |
| Max. Wire Diameter | Screw Terminals |
| 3 Pin Plug Make | Wonpro |

Ordering Code

MODEL : SMC-PIU-3P+RJ45+USB+9 PIN

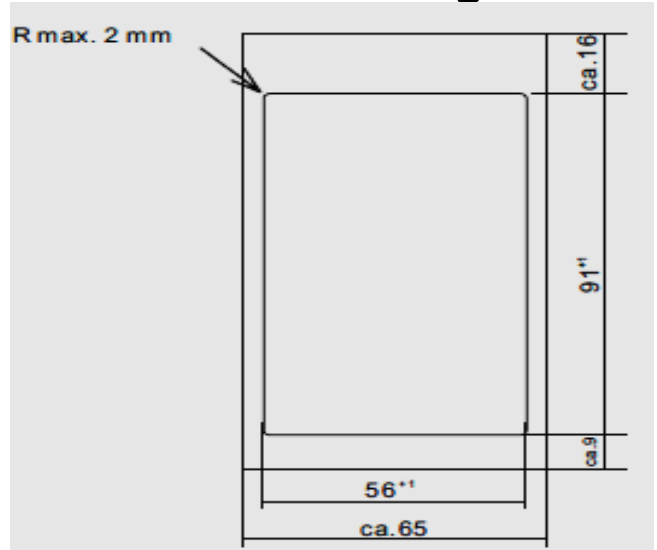
Description

With Wonpro Make 3 pin Universal Socket 20A-250VAC,
With 9 Pin Female D Connector
& RJ45 Connector 8 Pin Metal CAT6 Coupler & USB 2.0
Female Panel-Mount to Male USB Cable 1.5 Meter

Features

- Premium quality Front Panel Interface Unit made of high quality material.
- Tested on well defined parameters which ensures durability.
- Plug & Socket assembly with universal socket & frame.
- Ideal for Temperature fluctuating conditions.
- Heat Resistant, shock proof & easily mountable
- Stringently checked on various criterion of performance
- Longer functional life
- Meet customized requirements & best in utility.

Dimensional Drawing



Dimension Outside
116 X 65 X 53

Panel Cutout
91 X 57

- Suitable to Wall thickness : 1.5 to 3.5 mm
- Dimensions (L X W X H) in mm

ISO 9001:2015 Certified