



Specifications

Input Voltage	12V AC/DC
Wattage	3W
IP Rating	IP67
Operating Temp	-30 to +60 degree Celsius
LED	SMD Tricolor LED 5050
Available in Colors	Red / Amber / Green / Blue
Options	Flashing
Dome	Polycarbonate
Base	Nylon-Glass filled-15%-Black
Mounting	M6 Screws
Avg. Life Hours	20,000 Hrs

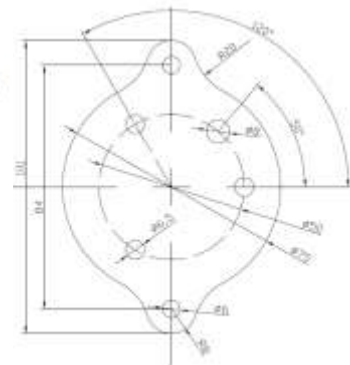
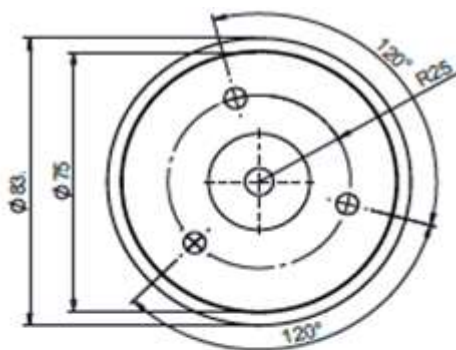
Ordering Code

Model	Dimensions
SMC-D-1T-1-A-F	102 X 75 mm

Features

- PC Lens, hard to distort or Crack
- Bright, glare free illumination with soft light
- Energy Saver with IP 67 Grade Protection
- Ideal for temperature fluctuating situations
- Stringently checked on various criterion of performance
- Modular design with Superior Finishing & tamperproof packaging
- Heat resistant & shock proof & easily mountable
- Sturdy construction with good electric shock resistance
- Low Power Consumption & energy Saving
- Longer functional life
- Mounting Plate (Optional)

Dimensional Drawing



Mounting Plate
(Optional)

