



Specifications

Input Voltage :	24V DC
Wattage	12W
Operating Temp	-20 to 70 degree
Protection Grade	IP 67
Control Gear	Onboard
CRI	82 Typical
Luminaire body	SMD LED strip
No. of LED's	84
LED color	Cool white / 6500K
Led Make	Edison / Everlight / Osram / Bridgelux
Lumens	1300 Lm
Fastening	L Brackets
Lamp Housing	Aluminium
Rubber Cap Material	Nitril Butadiene Rubber (NBR)
Shore Hardness	60 -75
Avg Life Hours	30,000 Hrs
Cable Length	3 Meters

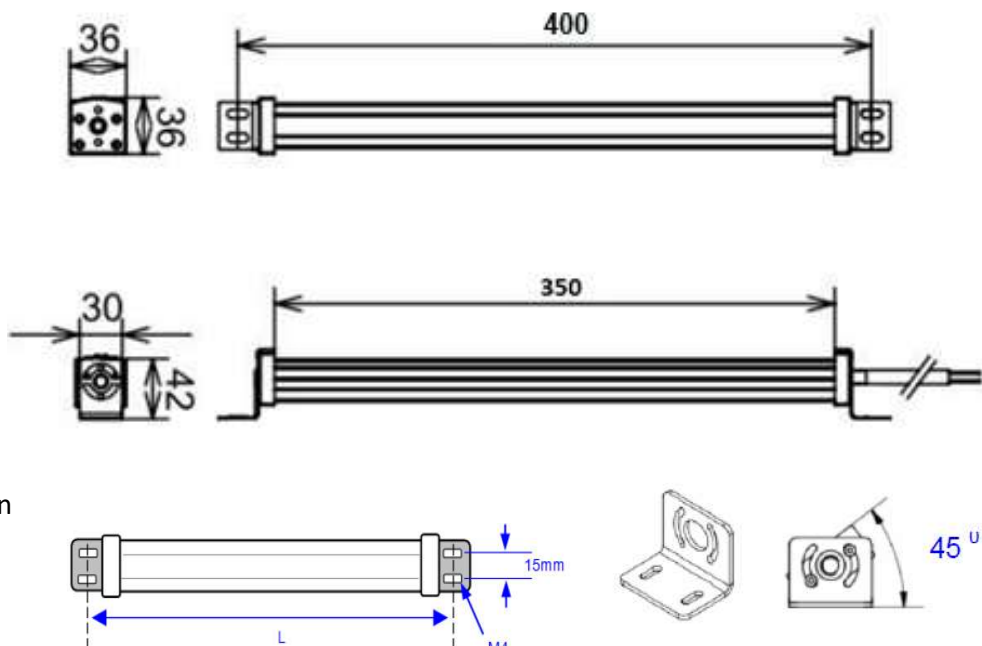
Features

- Ideal for CNC & SPM Machines
- CE Certified
- Coolant, Water & dust proof hence suitable for wet & dry applications
- Aluminium Housing
- 270 degree Adjustable viewing angle
- Excellent Cool Day Light
- Fixed Mounting
- IP 67 grade protection
- Used good quality Aluminium with excellent anti-corrosion and good heat dissipation
- Easily Mountable either Vertically or Horizontally
- Stringently checked on various criterion of performance
- Longer Functional Life

Ordering Code

Model	Voltage	Size
SMC-CNC-AH-S-12W-1-L	24 VDC	425 x 36 x 36 mm

Dimensional Drawings



ISO 9001:2015 Certified