



Specifications

Operating Temp	-30 to 105° degree
Shell Material	Thermoplastic Plastic PA66 Flame Retardant Grade V-0
Sealing Material	Epoxy Resin / Rubber
Dust Cap Ring	Silica Gel
Contact Material	Phosphorus Copper Gold-Plated
Confirm Standard	CAT6
Durability	>/ =750 Cycles
Contact Resistance	20 mΩ
Insulation Resistance	500 mΩ at DC500V
Withstand Voltage	1000 Cycles / 1 minute
Salt Spray Corrosion	48 Hours
POE	60W-2A
RJ45 Dual Port	RJ45 Network Dual port + PCB

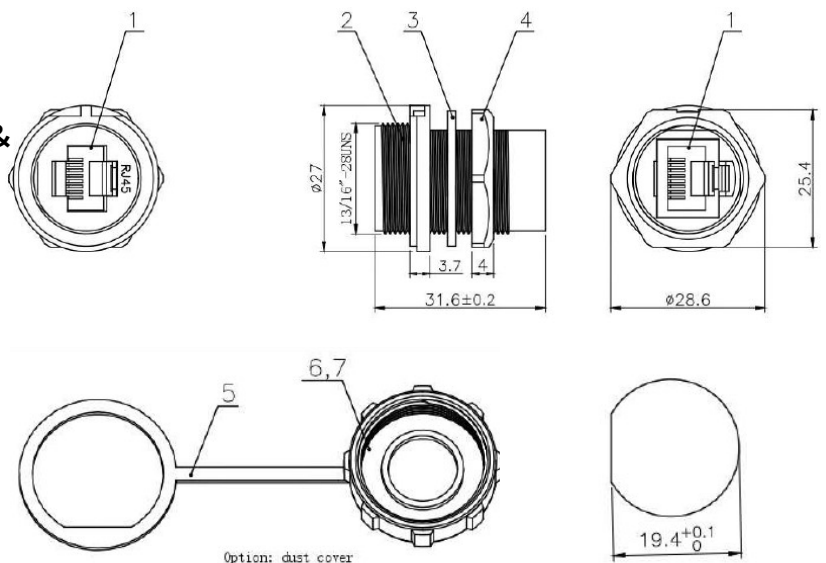
Ordering Code

SMC-M20-RJ45-FEMALE CONNECTOR

Features

- Highly Efficient and stable waterproof connector
- Water & dust proof hence suitable for wet & dry applications
- Heat resistant & shock proof & easily mountable Stringently checked on various criterion of performance
- Longer functional life & Cost Effective
- Modular design with Superior Finishing & tamperproof packaging
- Widely used in automobile, Production & Electrical Engineering industries

Dimensional Drawing



(BOARD END HOLE OPENING SIZE)